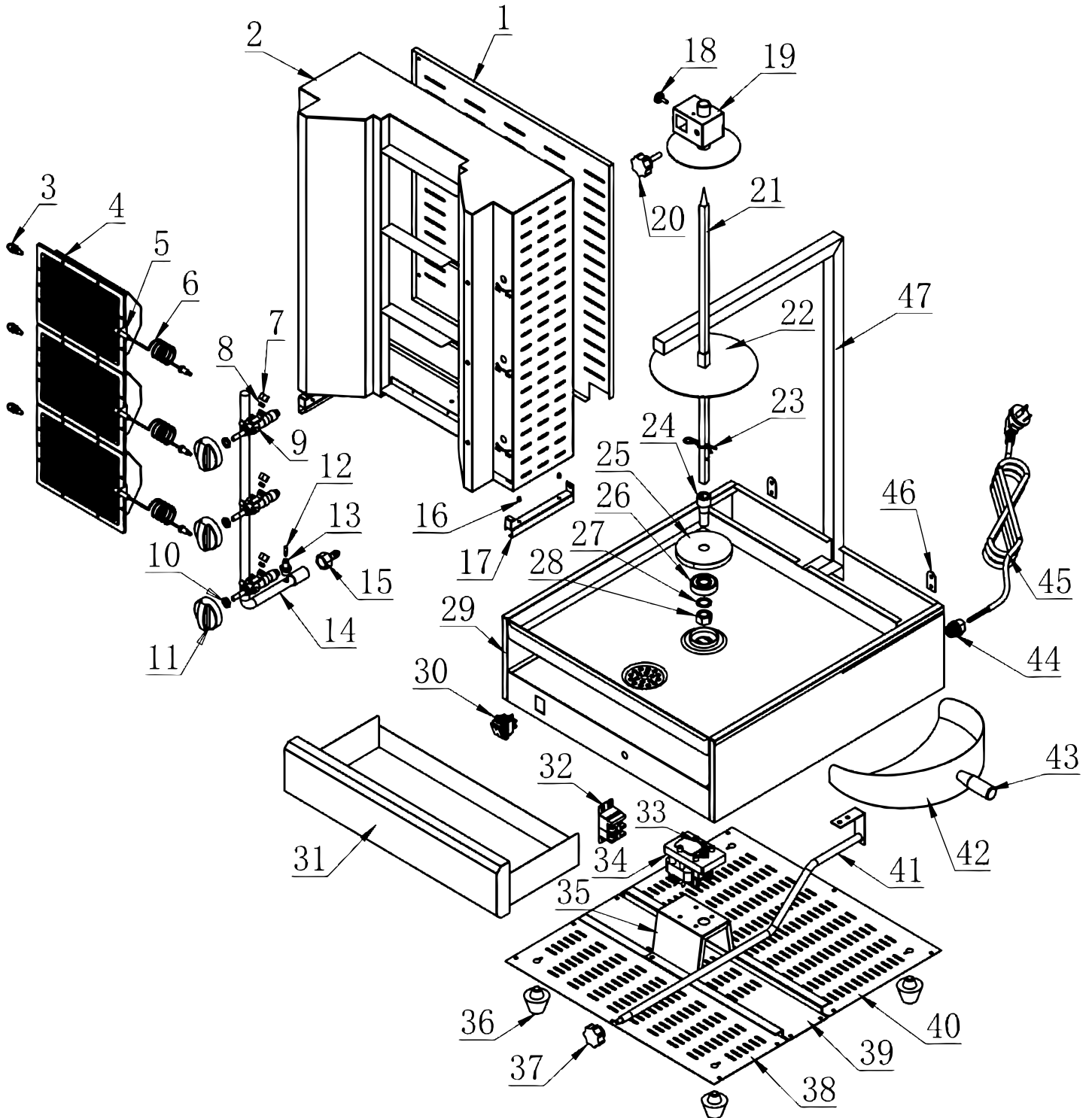


Parts Breakdown

Model CE-CN-KB-3 47496





Parts Breakdown

Model CE-CN-KB-3 47496

Item No.	Description	Position	Item No.	Description	Position	Item No.	Description	Position
AL119	Nozzle LPG for 47496	3	AJ538	Knob of Principal Axis for 47496	20	AL144	Terminal for 47496	32
AL120	Burner with NG Nozzle for 47496	4	AJ537	Principle Axis for 47496	21	AL146	Motor for 47496	34
AL122	Thermal Couple for 47496	6	AM729	Grease Protecting Plate for 47496	22	AJ529	Foot for 47496	36
AL123	Locking Nut 8 for 47496	7	AJ535	Backing Pin for 47496	23	AJ533	Knob of Pull Rod for 47496	37
AL124	Compression Ring for 47496	8	AL137	Spit Base for 47496	24	AL151	Sliding Shaft for 47496	41
AL125	Gas Valve for 47496	9	AL138	Bearing Cover for 47496	25	AL152	Meat Shovel for 47496	42 - 43
AL127	Knob for 47496	11	AL139	Bearing for 47496	26	AJ591	Power Cord Sheath for 47496	44
AL132	Sliding Column for 47496	16	AL140	Flat Washer for 47496	27	AL153	Power Cord for 47496	45
AL134	Locking Nut for 47496	18	AD712	Power Switch for 47496	30			
AL135	Top Case of Spit for 47496	19	AL143	Grease Collector for 47496	31			